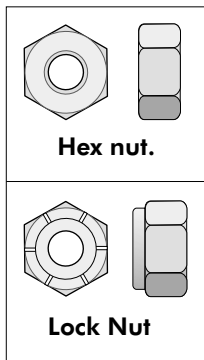


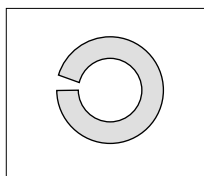
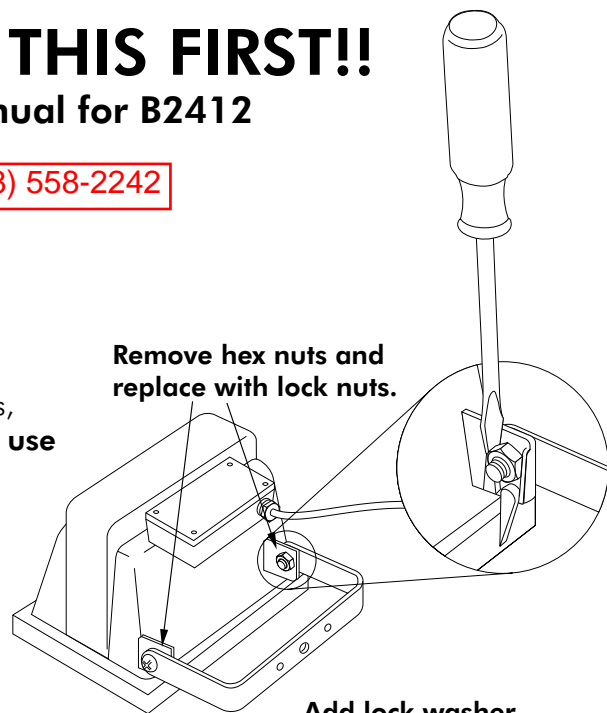
ATTENTION: READ THIS FIRST!!

Addendum to owners manual for B2412

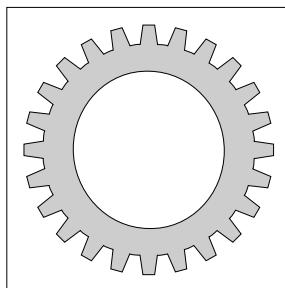
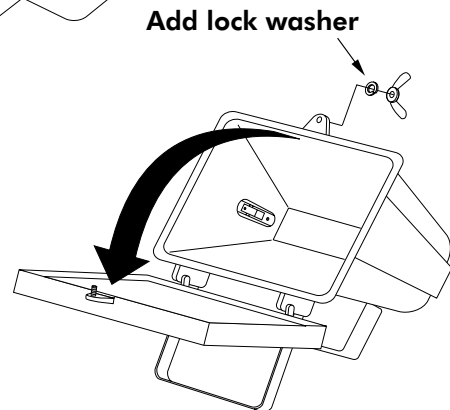
Basketball Hoops Online - (678) 558-2242



Remove hex nuts shown, on both light assemblies, and replace with lock nuts. **Note: If necessary, use a standard screwdriver to keep nut from spinning while tightening.**



After performing step 6 in the owners manual, add a lock washer under the wing nut while reinstalling wing nut.



While performing step 9 in the owners manual add the serrated lock washer in between the lamp base and the pole section "A".

