

MODEL NO.

**B3400W**

**Goalrilla IV  
BASKETBALL SYSTEM**

## OWNER'S MANUAL

1. **Read this manual carefully before starting assembly.** Read each step completely before beginning each step.
2. **Some smaller parts may be shipped inside larger parts. Check inside all parts and cartons before assembling or ordering parts.**
3. **To make assembly of your basketball system easier, use the Hardware Identifier on page 3 and 4 to identify and sort all fasteners. Check all cartons for kits. All hardware is not located in one kit.**
4. **Do not tighten hardware until instructed to do so.** If hardware is tightened too soon, mounting holes may not align and parts may not easily fit together. Leave locknuts slightly loose until you are instructed to tighten them.

### Please Do Not Return This Product to the Store!

Contact Escalade® Sports customer service department at:

Phone: 1-888-USA-GOAL Toll - Free !

Fax: 1-866-873-3536 Toll - Free !

E-mail: [basketball@escaladesports.com](mailto:basketball@escaladesports.com)

Mailing Address:

Escalade Sports

PO Box 889

Evansville, IN 47706



Please visit our World Wide Web site at: [www.escaladesports.com](http://www.escaladesports.com)

ON-LINE TROUBLE SHOOTING

TECHNICAL ASSISTANCE

ON-LINE PARTS REQUESTS

FREQUENTLY ASKED QUESTIONS

ADDITIONAL ESCALADE® SPORTS PRODUCT INFORMATION

**ESCALADE®**  
**S P O R T S**

2L-7040-01



# SAFETY INSTRUCTIONS



**FAILURE TO FOLLOW THESE WARNINGS MAY RESULT IN SERIOUS INJURY AND/OR PROPERTY DAMAGE.**

**Owner must ensure that all players know and follow these rules for safe operation of the system.**



## WARNING

**FAILURE TO FOLLOW THESE WARNINGS MAY RESULT IN SERIOUS INJURY AND/OR PROPERTY DAMAGE.**

Owner must ensure that all players know and follow these rules for safe operation of the system.

- Only hang from the rim briefly to regain balance or avoid injuring others. Release the rim as soon as safely possible.
- During play, especially when performing dunk type activities, keep player's face away from the backboard, rim, and net. Serious injury could occur if teeth/face come in contact with backboard, rim, or net.
- Do not slide, climb, or play on pole.
- When adjusting height, keep hands and fingers away from moving parts.
- Do not allow children to adjust system.
- During play, do not wear jewelry (rings, watches, necklaces, etc.) Objects may entangle in net.
- Keep water and organic material away from pole. Pole can rust and fail.
- Once a month check pole and all metal parts for rust. Completely remove rust and repaint with exterior enamel. If rust has penetrated any steel part, replace that part immediately.
- Check system before each use for loose hardware, signs of rust and instability. Repair before each use. Never play on damaged equipment.
- Wear a mouthguard when playing to avoid dental injuries.

4L-8090-00



## SAFETY INSTRUCTIONS



**FAILURE TO FOLLOW THESE SAFETY INSTRUCTIONS MAY RESULT IN SERIOUS INJURY, PROPERTY DAMAGE AND WILL VOID WARRANTY.**

**Owner must ensure that all players know and follow these rules for safe operation of the system.**

**To ensure safety, do not attempt to assemble this system without following the instructions carefully. Proper and complete assembly, use and supervision is essential for proper operation and to reduce the risk of accident or injury. A high probability of serious injury exists if this system is not installed, maintained, and operated properly.**

- If using a ladder during assembly, use extreme caution.
- 4 people are recommended for this operation.
- Seat the pole sections properly (if applicable). Failure to do so could allow the pole sections to separate during play.
- Before digging contact utility company to locate underground power cables, gas and water lines. Ensure there are no overhead power lines within 20 ft. (7m) radius of pole location.
- Climate, corrosion or misuse could result in system failure.
- If technical assistance is required, contact the manufacturer.
- Minimum operational height is 6'6" (1.98m) to the bottom of backboard.

*Most injuries are caused by misuse and/or not following instructions.  
Use caution when using this system.*

## WARNING!

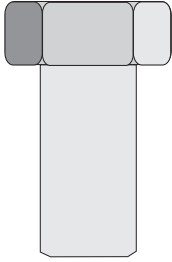
**Failure to observe this warning may cause property damage and/or serious injury.**

(Affixed to backboard)

Only hang from the rim briefly to regain balance or avoid injuring others. Release the rim as soon as safely possible.  
Rim height adjustments should be made under parental supervision.  
Wear a mouth guard when playing to avoid dental injuries.  
During play, do not wear jewelry (rings, watches, necklaces, etc).  
Objects may entangle in net.

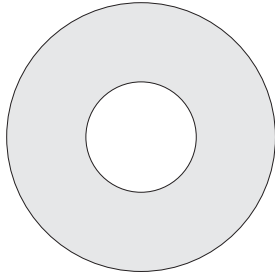
# HARDWARE IDENTIFIER

**19**



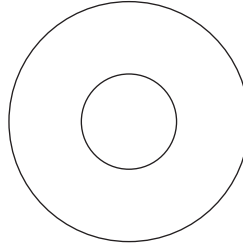
1/2"-13 x 1"  
Hex Bolt  
(2 Pieces)

**3**



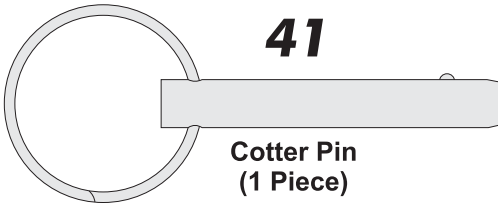
1/2" Flat Washer  
(16 Pieces)

**5**



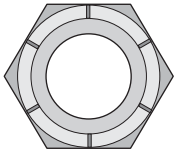
1-1/4" Dia. Plastic-Washer  
(24 Pieces)

**41**



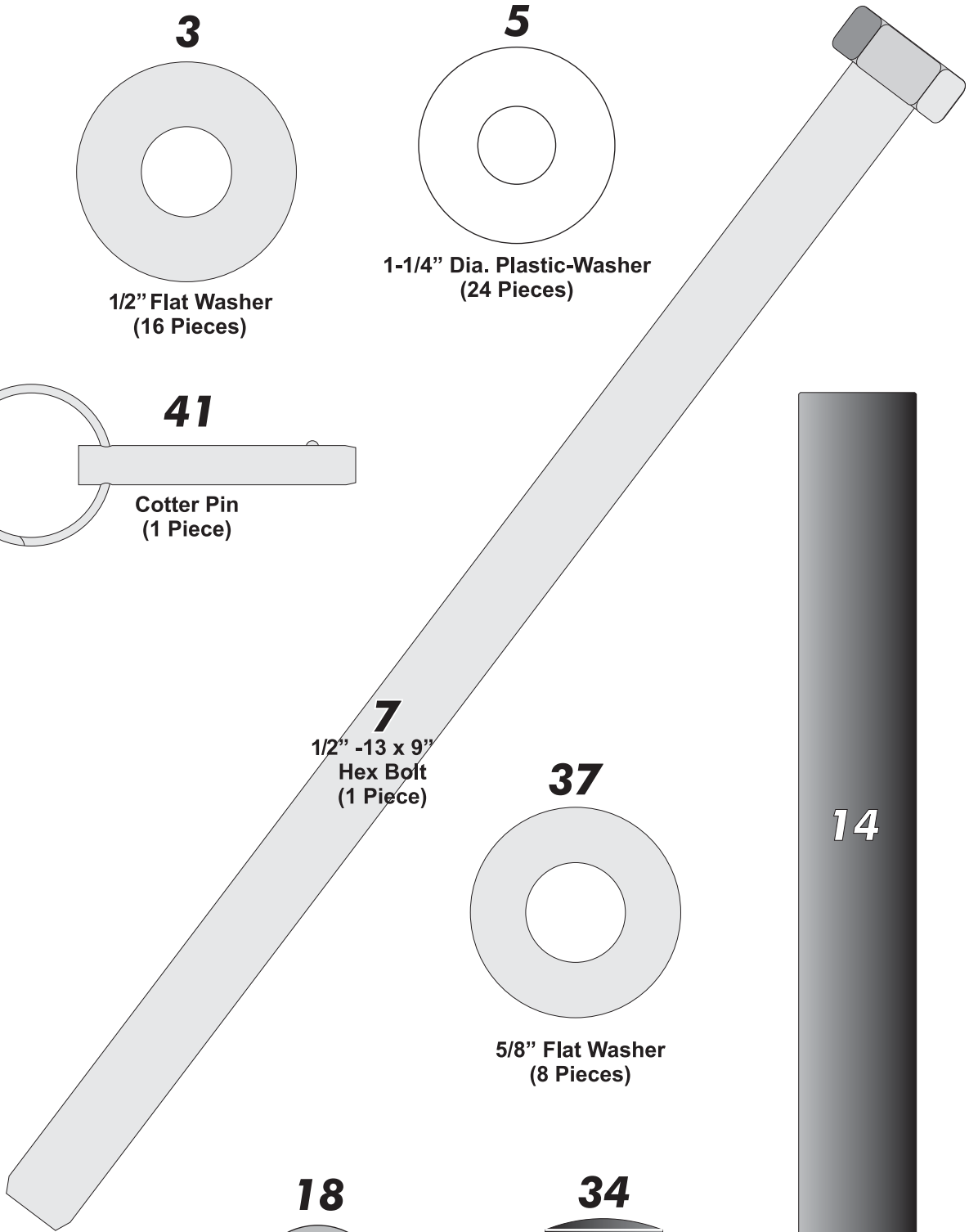
Cotter Pin  
(1 Piece)

**4**



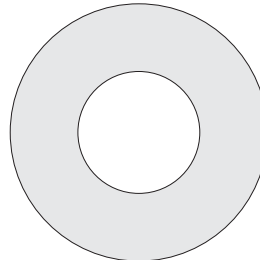
1/2"-13  
Nylon Lock Nut  
(3 Pieces)

**7**



1/2" -13 x 9"  
Hex Bolt  
(1 Piece)

**37**

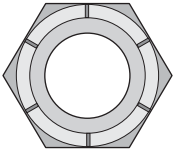


5/8" Flat Washer  
(8 Pieces)

**14**

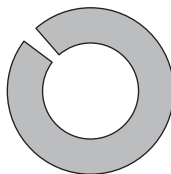


**47**



1/2"-13  
Nylon Jam (Thin)  
Lock Nut  
(4 Pieces)

**18**



1/2" Split  
Lock Washer  
(2 Pieces)

**34**

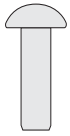


5/8" Thread  
Protector  
(4 Pieces)

3/4" OD x 5-11/16 Spacer  
(1 Piece)

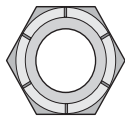
# HARDWARE IDENTIFIER

**32**



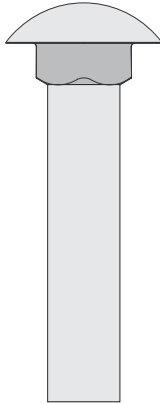
#8 x 1/2"  
Thread Forming Screw  
(4 Pieces)

**33**



3/8"-16  
Nylon Locknut  
(4 Pieces)

**29**



3/8"-16 X 1-3/4"  
Carriage Bolt  
(4 Pieces)

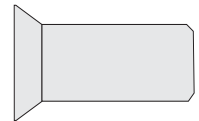
**26**



3/8" Flat Washer  
8 Pieces Total  
(4 Pieces Rim Kit)  
(4 Pieces Post Kit)

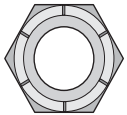
These parts are located inside rim kit

**46**



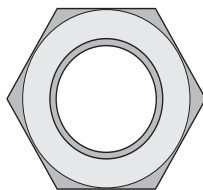
3/8"-16 X 1"  
Flat Head Bolt  
(4 Pieces)

**33**



3/8"-16  
Nylon Locknut  
(4 Pieces)

**35**

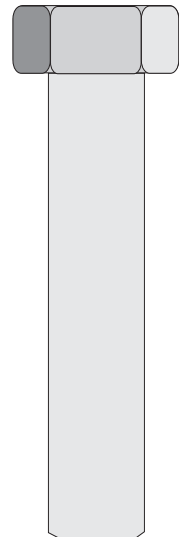


5/8"-11  
Hex Nut  
(12 Pieces)

**8**

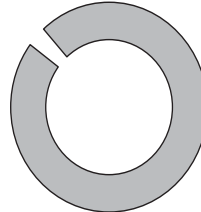
1/2"-13 x 10"  
Hex Bolt  
(2 Piece)

**20**



1/2"-13 x 2-1/4"  
Hex Bolt  
(4 Pieces)

**36**



5/8"  
Split Washer  
(4 Pieces)

# INSTALLATION TIMELINE

1. Prior to anchor system and goal assembly, call utility services for location of underground utility lines before you dig.
2. Vertical main post assembly is a two part process.

## PART 1

**Day 1.** Complete Anchor System Installation Instructions. (Below)

**Day 2-4.** Allow concrete to cure.

## PART 2

**Day 5.** Complete Goalrilla™ assembly instructions. (Requires four adults)

## ANCHOR SYSTEM INSTALLATION INSTRUCTIONS (Day 1)

### ⚡ WARNING

**Before digging hole for anchor system, check for buried power, gas, water, and telecommunication lines! Failure to do so could result in serious or fatal injury! Contact your local utility company if unsure.**

#### Items needed (not included)

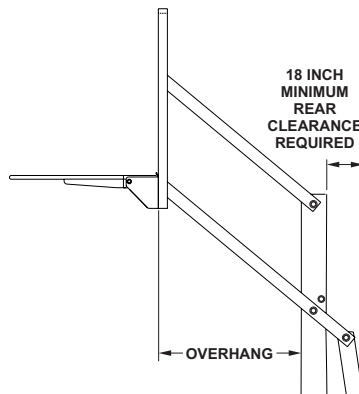
- |   |                  |
|---|------------------|
| 9 - 80 lb. bags of concrete               | 1 - wheel barrow |
| 1 - post hole digger (optional)           | 1 - garden hose  |
| 1 - 15/16" wrench                         | 1 - level        |
| 1 - concrete form (see note after step 2) | 1 - tape measure |

**Note: For best results with less vibration, anchor system should be independent of court. If pouring concrete for both at same time, add an expansion joint in between.**

**Note: When digging hole, if you hit rock and cannot dig through, contact a contractor.**

1. Determine the location of the anchor system. The proper location is as close to the court without making contact, as shown in Figure 1. This, however, is a general rule. If you need to locate the anchor system in a location other than this, use the following dimensions as a guide.

Overhang when adjusted to 10 ft. = 27"



**Note: A minimum of 18" rear clearance is required behind pole.**

2. Assemble anchor system as follows: Thread nut (#35) to bottom of threads on anchor bolt (#39) insert threads of anchor bolt (#39) through hole on anchor plate (#38) and secure with nut (#35). Repeat this step for the remaining anchor bolts. See Figure 2. Note: Each leg of anchor bolts should face the anchor bolt to the right. See Detail A.

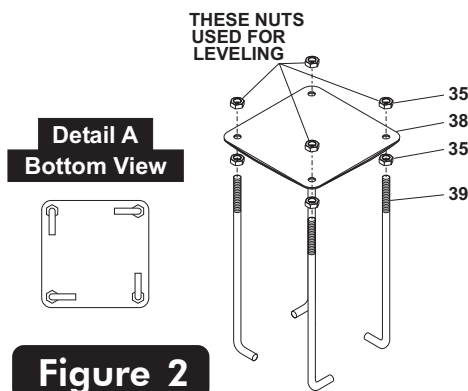
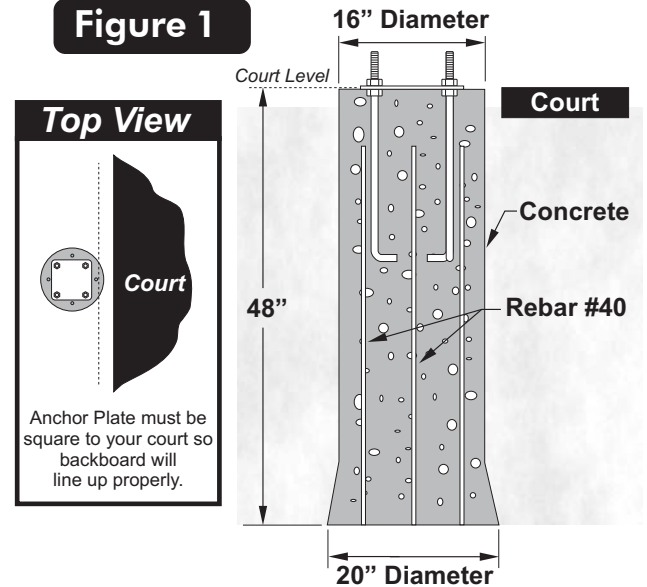


Figure 1



**Note: Using a concrete form for the top 4" of the concrete is recommended. Cardboard forms can be purchased at some hardware and home stores or a wooden form can be constructed out of 2 x 4's.**

3. Mix and pour concrete into hole. Follow instructions on concrete bag. Stop about 18" below court level.
4. Insert four reinforcement bars (#40) into concrete 8" apart creating a square in center on hole.
5. Place form in desired location and finish pouring concrete up to court level.
6. Push anchor system into concrete and agitate to work out voids in concrete. Immediately use a level to level and square anchor plate to playing surface. Clean off any concrete that may be on exposed threads.

**Note: The bottom four nuts will be forever embedded in concrete. The top four nuts remain on bolts and are used for leveling.**

Let concrete stand for a MINIMUM of 72 hours.

# ASSEMBLY INSTRUCTIONS (Day 5)

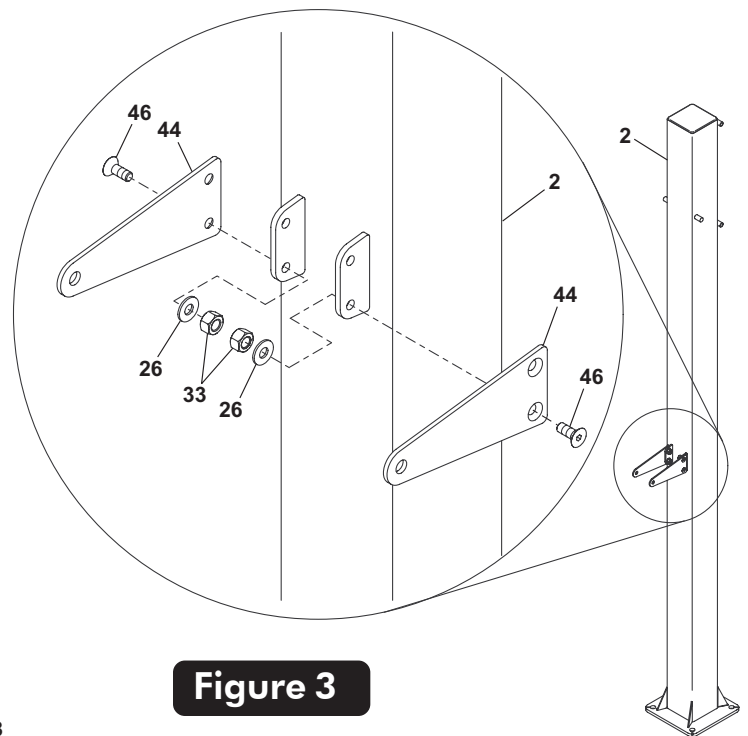
**IMPORTANT!** Nylon washers (#5) adequately space painted parts at all pivot points. Neglecting the use of these washers will result in rusted parts.

**NOTE:** All board arms are made of rectangular tubing. Tightening hardware too tight may damage tubing and make adjustment of system difficult.

1. Using Allen Wrench (#45) provided, attach Post Brackets (#44) to outside of brackets on back of Post Assembly (#2). Secure with two Flat Head Screws (#46), two Flat Washers (#26) and two Locknuts (#33) in each Bracket (#44). See Figure 3.

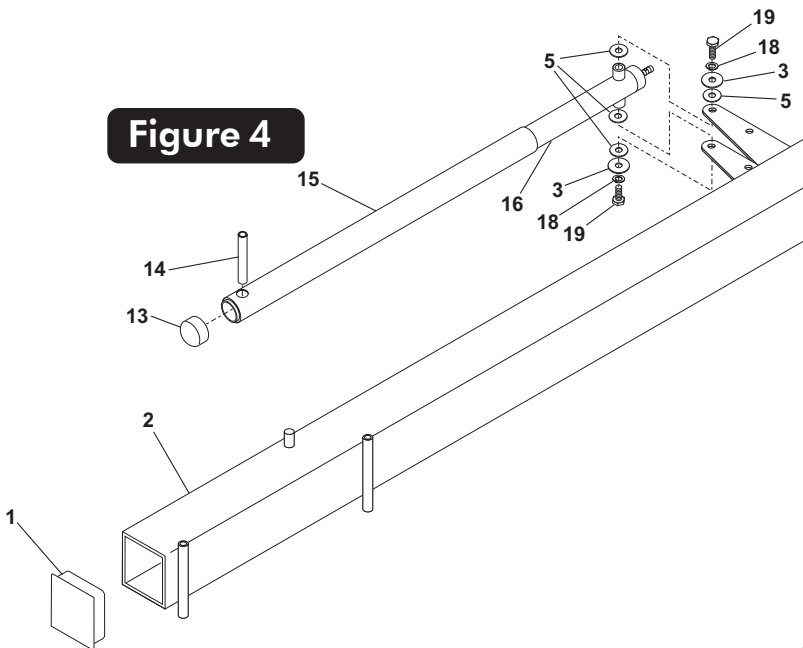
2. Slide Actuator Sleeve (#15) over Actuator (#16) and place Actuator Cap (#13) on top. Slide Pivot Tube (#14) in hole near the top of Actuator until equal amounts stick out on both sides of Actuator. See Figure 4.

**NOTE:** If necessary, use a hammer or rubber mallet to tap in Spacer.



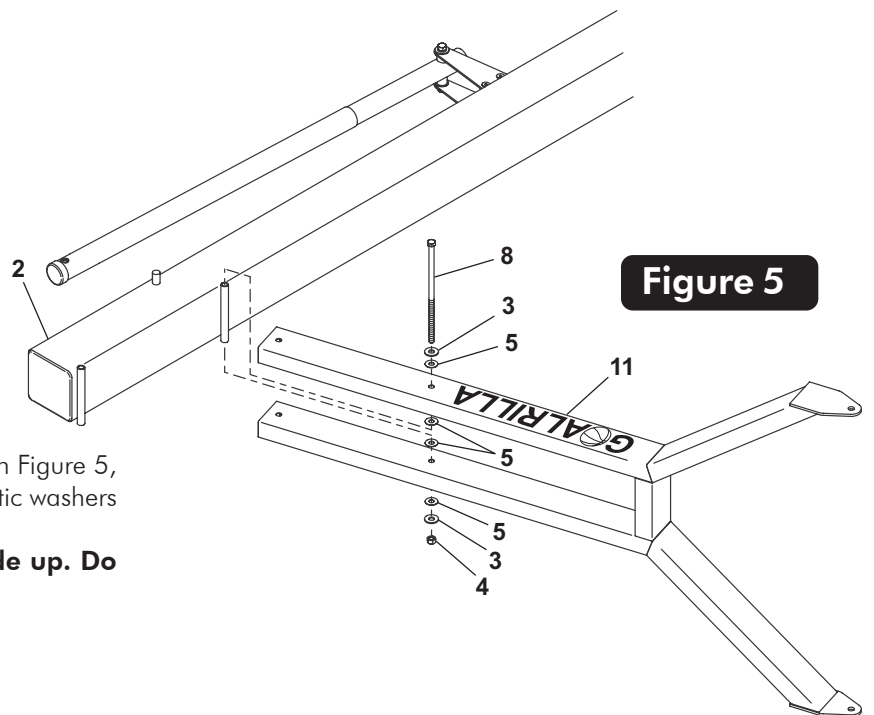
**Figure 3**

**Figure 4**



3. Lay Pole (#2) on its side on two padded saw horses. Secure Actuator (#16) to Pole (#2) using one bolt (#19), split lockwasher (#18), washer (#3) and two plastic washers (#5) to thread into each side of Actuator. See Figure 4. Tighten bolts tight.

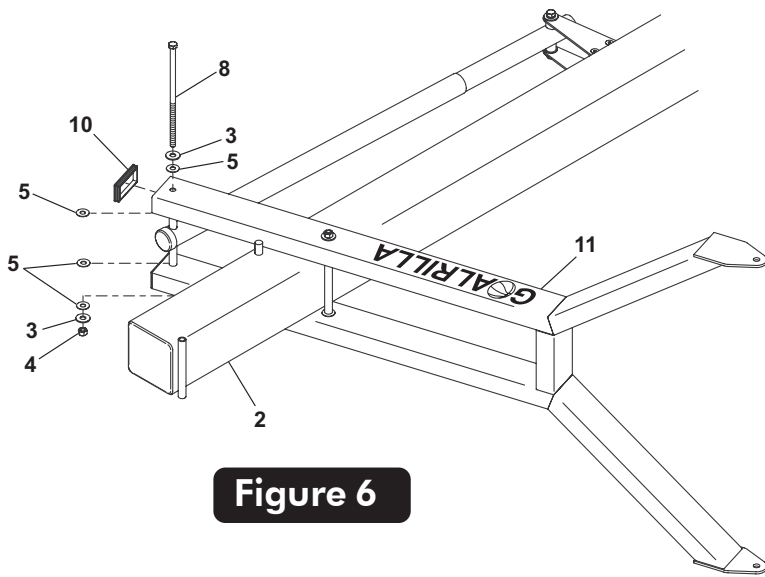
4. Insert Pole Cap (#1) into top of Pole (#2). It may be necessary to use a hammer or rubber mallet to tap Cap in.



**Figure 5**

5. Attach lower arm (#11) to Pole (#2), as shown in Figure 5, using a bolt (#8), two flat washers (#3), four plastic washers (#5) and hex nut (#4).

**Note:** make sure "Goalrilla" lettering is right side up. Do NOT tighten bolt (#8) at this time.



**Figure 6**

- Attach Upper Arm (#6) to Pole (#2), as shown in Figure 7, using a bolt (#7), two flatwashers (#3), four plastic washers (#5) and hex nut (#4).

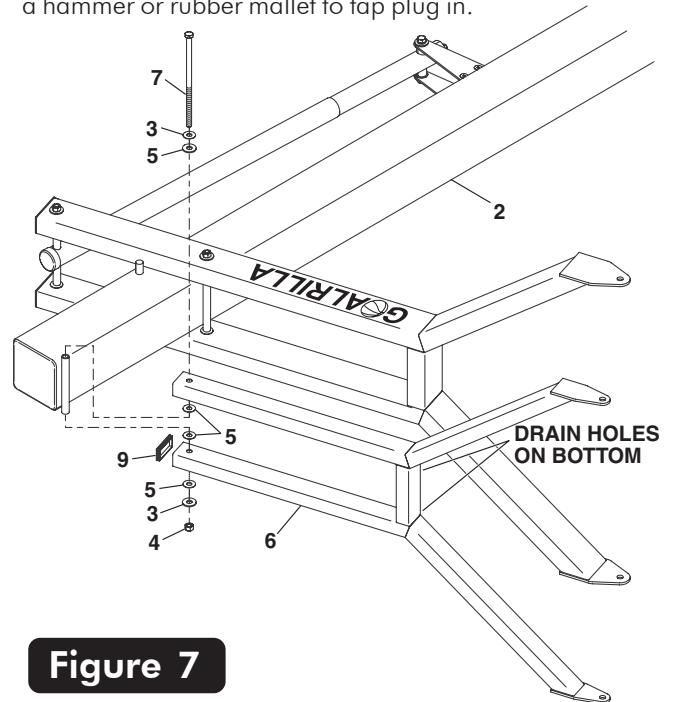
**Note: Tighten bolts snug but, do not over tighten. Board Arms must pivot freely.**

- If the two Tube Plugs (#9) are not already installed insert them into open ends of Upper Arm (#6). It may be necessary to use a hammer or rubber mallet to tap plug in.

- Secure Actuator (#16) to Lower Arm (#11) using one bolt (#8), two flatwashers (#3), four plastic washers (#5) and one hex nut (#4). See Figure 6. Tighten both bolts (#8) securing Lower Arm (#11).

**Note: Tighten bolts snug but, do not over tighten. Board Arms must pivot freely.**

- If the two Tube Plugs (#10) are not already installed insert them into open ends of Lower Arm (#11). It may be necessary to use a hammer or rubber mallet to tap plug in.



**Figure 7**

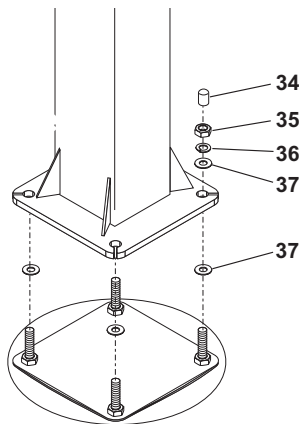
- Locate hardware needed to mount pole to anchor bolts. You will need, eight flatwashers (#37), four lock washers (#36), four hex nuts (#35) and four thread protectors (#34).

**Note: Do not remove the nuts you installed in step 2.**

- Put a flat washer (#37) on each anchor bolt. Lift post onto anchor system and secure with one flatwasher (#37), one lock washer (#36) and one hex nut (#35) for each anchor bolt. Tighten all four hex nuts tight.

**! CAUTION!**

**PLACING THE POST ON THE ANCHOR SYSTEM REQUIRES AT LEAST FOUR CAPABLE ADULTS. POLE WILL WANT TO LEAN WHILE ATTEMPTING TO STAND IT UP ON ANCHOR BOLTS.**

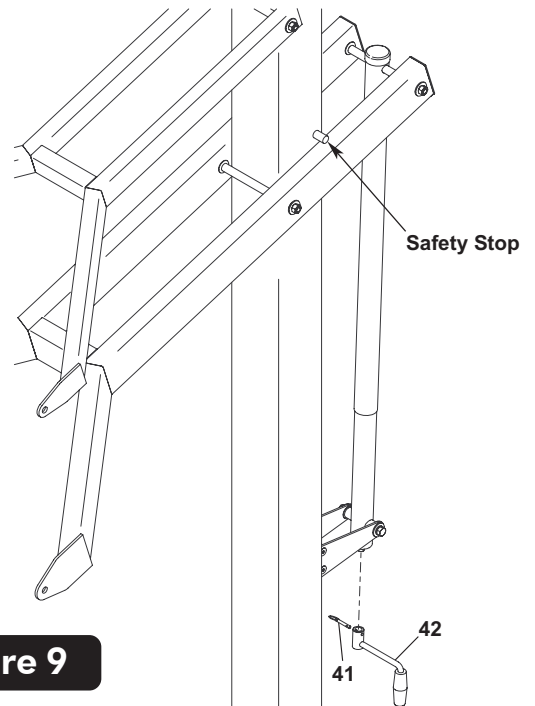


**Figure 8**

**BE SURE CONCRETE HAS BEEN ALLOWED TO CURE FOR AT LEAST 3 DAYS**

- Slide Actuator Crank (#42) onto shaft on the bottom of Actuator (#16). Line up hole in shaft with hole in Actuator Crank and insert Pull Pin (#41) to secure. See Figure 9.

- To aid in the assembly of the backboard lower the backboard, by turning the Actuator Crank, until the lower arm makes contact with the Safety Stop.



**Figure 9**

# CAUTION!

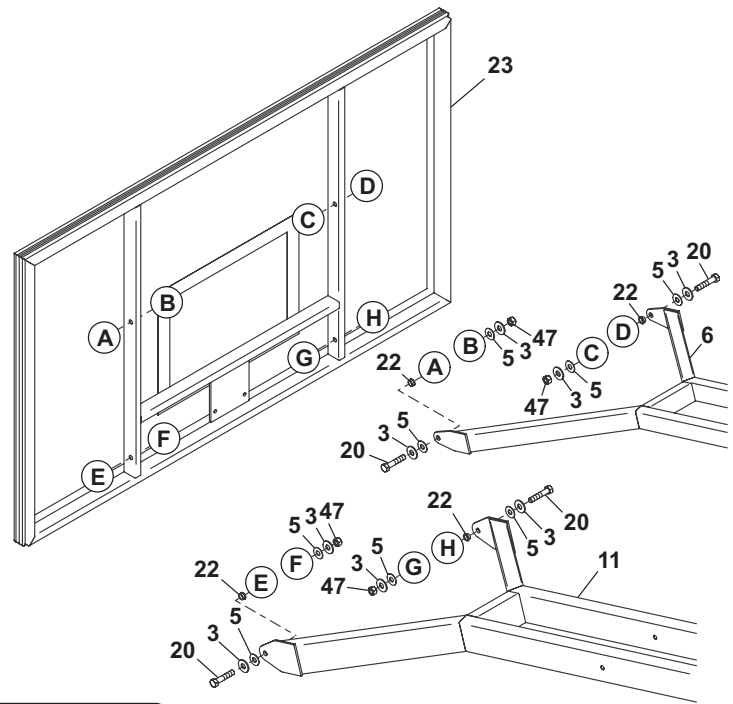
**ATTACHING BACKBOARD TO BOARD ARMS REQUIRES AT LEAST FOUR CAPABLE ADULTS.**

14. With at least three capable people, raise the backboard assembly up and have the fourth attach Lower Board Arms to lower mounting holes on backboard using two bolts (#20), two step bushings (#22), (shipped already installed), four plastic washers (#5), four flat washers (#3) and two thin hex jam locknuts (#47). See Figure 10.

**Note: DO NOT over tighten these bolts. This is a pivot point. Snug is tight enough.**

15. Attach Upper Board Arms to upper mounting holes on backboard using two bolts (#20), two step bushings (#22) (shipped already installed), four plastic washers (#5), four flat washers (#3) and two thin hex jam locknuts (#47). See Figure 10.

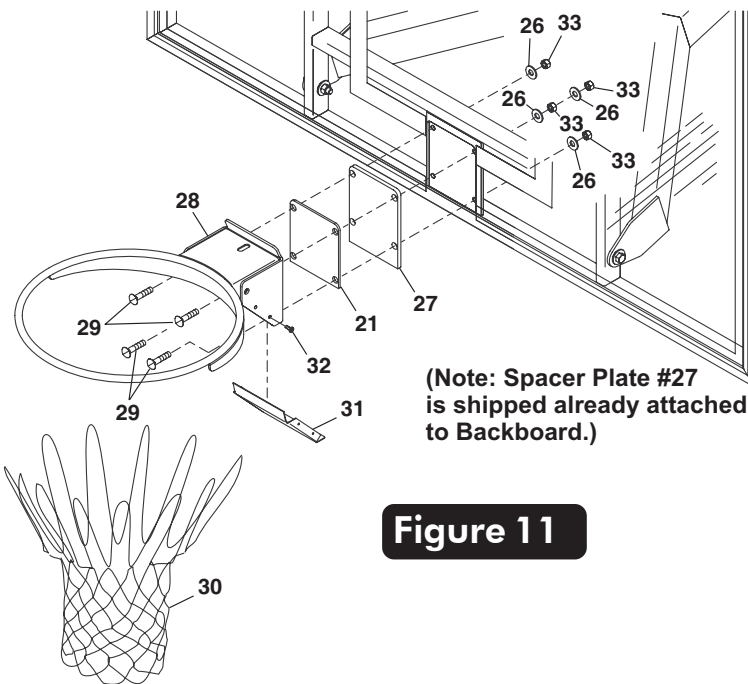
**Note: DO NOT over tighten these bolts. This is a pivot point. Snug is tight enough.**



**Figure 10**

16. Remove protective backboard covering and mount Goal Assembly (#28) and Rim Pad (#21) to Backboard, as shown in Figure 11, using four bolts (#29), four washers (#26), and four locknuts (#33). (Note: Spacer Plate #27 is shipped already attached to backboard.) Tighten fasteners finger tight, leave them loose enough to level rim.

17. Place a level across rim assembly and adjust rim until it is level. Finish tightening the four nuts.



**Figure 11**

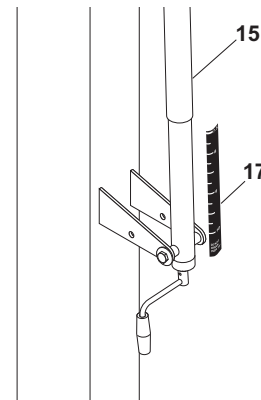
# CAUTION!

**NEVER USE RIM WITH COVERPLATE REMOVED!**

18. Attach Rim Cover Plate (#31) using four screws (#32). See Figure 11.

19. Check all nuts and bolts everything is tightened properly. Do NOT over tighten pivot points, snug is tight enough.

20. Adjust unit to lowest position. Use a tape measure to measure from the top of the rim to the playing surface. Stick Height Decal (#17) to back of Actuator (#16) with the measured height mark aligned with bottom of Actuator Sleeve (#15). See Figure 12.



**Figure 12**

## LIMITED LIFETIME WARRANTY

This consumer warranty extends to the original consumer purchase of any Escalade® Sports Product (hereinafter referred to as the "Product").

**WARRANTY COVERAGE:** Escalade® Sports warrants to the original Consumer Purchaser that any Product of its manufacture is free from defects in material and workmanship. THIS WARRANTY IS VOID IF THE PRODUCT HAS BEEN DAMAGED BY ACCIDENT, UNREASONABLE USE, NEGLIGENCE, IMPROPER SERVICE, FAILURE TO FOLLOW INSTRUCTIONS PROVIDED WITH THE PRODUCT OR OTHER CAUSES NOT ARISING OUT OF DEFECTS IN MATERIAL OR WORKMANSHIP.

Subject to proper installation and normal use, Escalade® Sports warrants, subject to the limitations below, to the original retail purchaser all structural components of the Goalrilla™ System to be free of defects in material and workmanship for the duration of ownership by the original retail purchaser.

Merchandise must be shipped prepaid with a copy of proof of purchase to Escalade® Sports factory for examination to determine if the basketball system needs to be repaired or replaced. Any labor costs, travel expenses and any other changes involved in the removal, installation or replacement of the defective/repared parts from/to your Goalrilla™ System will be the purchaser's responsibility. Shipping charges for replaced or warranted merchandise sent back to the customer from Escalade® Sports factory must be prepaid by the customer in advance. If not, the replacement shipment will be sent out collect.

Escalade® Sports reserves the right to examine photographs or physical evidence of merchandise claimed to be defective, and to recover said merchandise, prior to authorization of warranty claims. A "Returned Goods Authorization" number may be required, please call for details prior to the return of any photographs or merchandise.

This limited lifetime warranty is expressly in lieu of all warranties, expressed or implied, including warranties of merchantability or fitness for use. Escalade® Sports does not assume or authorize any person or representative to assume for us, any other liability in connection with the sale of our products.

The remedy of repair or replacement stated above is Escalade® Sports exclusive remedy. Escalade® Sports will not be liable for any other damages or expenses which may incur, including but not limited to incidental or consequential damages. Escalade® Sports assumes no other obligations or liability on the part of the purchaser, and Escalade® Sports neither assumes nor authorizes any other person to assume for it any other liability in connection with the goods sold.

This warranty shall not apply in any manner to parts or accessories not manufactured by Escalade® Sports.

### NOT COVERED BY THIS WARRANTY

- Any merchandise subjected to abuse, negligence, improper installation, vandalism, acts of God, alteration of product, or any other events beyond the control of Escalade® Sports.
- Paint or rusted parts. Paint kits will be available to assist in normal maintenance.
- Rims are not warranted for any defects other than workmanship. Torn back plates, damaged springs, bent rings, damaged eyebolts, and torn or distorted rim supports result from hanging on the rim and are not warranted.
- Shipping charges both ways. Note: Any merchandise shipped to Escalade® Sports collect will be refused.
- Dealer service charges, labor charges and travel expenses associated with replacement of repair of warranty item.

**WARRANTY DISCLAIMERS:** ANY IMPLIED WARRANTIES ARISING OUT OF THIS SALE, INCLUDING BUT NOT LIMITED TO THE IMPLIED WARRANTIES OF MERCHANTABILITY AND FITNESS FOR A PARTICULAR PURPOSE, ARE LIMITED IN DURATION. ESCALADE® SPORTS SHALL NOT BE LIABLE FOR LOSS OF USE OF THE PRODUCT OR OTHER CONSEQUENTIAL OR INCIDENTAL COSTS. EXPENSES OR DAMAGES INCURRED BY THE CONSUMER OF ANY OTHER USE.

Some states do not allow the exclusion or limitation of implied warranties or consequential or incidental damages, so the above limitations or exclusions may not apply to you.

LEGAL REMEDIES: This warranty gives you specific legal rights, and you may also have other rights which may vary from state to state.

### WARRANTY GUIDELINES IS REQUIRED FOR ALL WARRANTY CLAIMS

1. Proof of Purchase (original retail purchaser) is required for all warranty claims.
2. Call or write Escalade® Sports to receive a Return Authorization # and determine specific needs.  
Phone: 1-888-USA-GOAL / Warranty Dept.  
Or Write Escalade® Sports at: Escalade® Sports - P.O. Box 889, Evansville, IN 47706 - Attn: Warranty Dept.  
Or E-mail us at: [customerservice@escaladesports.com](mailto:customerservice@escaladesports.com)

# CARE INFORMATION

## BACKBOARD CARE AND MAINTENANCE

### Items needed to clean backboard:

- 100% cotton soft cloth, (only)
- Glass cleaner

Clean backboard using only a **100% Cotton** soft cloth and glass cleaner. Clean glass as you would clean household windows. Strong cleansers will damage backboard and void warranty.

## RIM

**Only hang from the rim briefly to regain balance or avoid injuring others. Release the rim as soon as safely possible.** Rims are not warranted for any defects other than workmanship. Torn back plates, damaged springs, bent rings, damaged eye bolts, and torn or distorted rim supports result from hanging on the rim and are not warranted.

Rims are not warranted for any defects other than workmanship. Torn back plates, damaged springs, bent rings, damaged eye bolts, and torn or distorted rim supports result from hanging on the rim and are not warranted.

The goal should not be cranked over 10'. Adjustments of the goal should be done under adult supervision.

When attempting slam dunk activity you should always wear a mouth guard to avoid dental injury.

## B3400W PARTS LIST

Key#	Part #	Description	Qty.	Key#	Part #	Description	Qty.
1	3M-6558-00	5 X 5 Tube Plug	1	25	Not Used		
2	1A-6994-00	Post Assembly	1	26	2B-6237-00	3/8 Flat Washer	8
3	2B-6093-01	1/2 Flat Washer	16	27	3M-6835-00	Goal Spacer Plate (Pre-Installed)	1
4	2B-6095-01	1/2-13 Nyloc Locknut	3	28	6A-6329-01	Goal Assembly	1
5	3M-6245-00	1 1/4 Dia. Plastic Washer	24	29	1B-6782-00	3/8-16 X 1 3/4 Carriage Bolt	4
6	1A-7006-00	Upper Board Arm	1	30	3F-6010-00	Net	1
7	1B-6787-00	1/2-13 X 9 Hex Bolt - Grade 5	1	31	2S-6427-00	Rim Cover Plate	1
8	1B-6222-01	1/2-13 X 10 Hex Bolt - Grade 5	2	32	1B-6788-00	#8 X 1/2 Self Tapping Screw	4
9	3M-6274-00	1 X 2 Tube Plug	2	33	2B-6238-00	3/8-16 Nyloc Locknut	8
10	3M-6834-00	1 9/16 x 3 5/32 Tube Plug	2	34	3M-6469-00	5/8 Thread Protector	4
11	1A-7007-00	Lower Board Arm	1	35	2B-6097-01	5/8-11 Hex Nut	12
12	4L-7637-00	Goalrilla Decal	2	36	2B-6099-01	5/8 Split Lock Washer	4
13	3M-6467-00	Actuator Cap	1	37	2B-6098-02	5/8 Flat Washer	8
14	8S-6565-01	Pivot Tube	1	38	2S-6494-01	Anchor Plate	1
15	2M-6160-00	Actuator Sleeve	1	39	2B-6096-01	5/8-11 X 18 "J" Bolt	4
16	4A-7081-00	Actuator	1	40	1S-6152-00	#3 X 40 Rebar	4
17	4L-7949-00	Height Decal	1	41	7B-6255-00	Pull Pin	1
18	2B-6094-01	1/2 Split Lock Washer	2	42	4A-6550-01	Actuator Handle	1
19	1B-6215-01	1/2-13 x 1 Hex Bolt	2	43	2L-7040-01	This Manual	1
20	1B-6781-00	1/2-13 x 2 1/4 Hex Bolt	4	44	2S-6794-00	Post Bracket	2
21	3M-6473-00	Rim Pad - 3 X 4	1	45	7B-6292-00	Allen wrench	1
22	7B-6391-00	Step Bushing	4	46	1B-6597-01	3/8-16 X 1 Flat Head Screw	4
23	6A-7135-00	Backboard Assembly-Glass-36"x48"	1	47	2B-6242-00	1/2-13 Nyloc Jam Locknut	4
24	Not Used						

