



TOURNAMENT SERIES

*Adjustable & Fixed
Height Goal Systems*



- *Elite*
- *Classic*

*Installation
& Owner's
Instructions*



Made In The USA

Best in Basketball



Tournament Series Instructions

This manual explains the proper installation, operation and maintenance of your Goalsetter Goal. Study and understand these instructions thoroughly before installing, operating or maintaining the goal. Failure to do so could result in serious injury or death and/or equipment damage. Consult your Goalsetter dealer or Goalsetter Systems, Inc. if you do not understand the instructions in this manual or need additional information.

Goalsetter Systems, Inc. recommends that you retain this manual for future reference of operation, maintenance and parts information.

The instructions, illustrations and specifications in this manual are based on the latest information available at the time of publications. Your goal may have product improvements and options not yet contained in this manual.

Goalsetter Systems, Inc. reserves the right to make changes at any time without notice or obligation.

Additional copies of these instructions are available from Goalsetter Systems, Inc.

GOALSETTER®, **GOALSETTER SYSTEMS®** AND **GOALSETTER®** logo are all registered trademarks of Goalsetter Systems, Inc. in the U.S. and/or other countries.

GS™ and **BEST IN BASKETBALL™** are trademarks of Goalsetter Systems, Inc.

This product is covered by various U.S. and Canadian patents, including U.S. Patent #5,211,393.
Patent infringement will be prosecuted.

No part of this manual may be reproduced in any form or by any means electronic or mechanical, including photocopying, recording, or by any information storage and retrieval systems without the express written consent of Goalsetter Systems, Inc.

Copyright 2006.
Revised 5/12/08.
All Rights Reserved.
Goalsetter Systems, Inc.

TABLE OF CONTENTS

Thank You4

Contact Information4

Safety Instructions5

Ground Anchor Installation6

 Call "One-Call"6

 Required Tools and Materials6

Lay Out Playing Court7

 Court Markings (reference only)7

Ground Anchor Placement8

Installation9

 Dig Hole9

 Position Anchor and Fill With Concrete9

Goal Specifications11

Goal Assembly10

 Required Tools and Materials10

 Parts List – Elite12-13

 Parts List – Classic14-15

 Hardware Identification16-17

 Pole Assembly18

 Frame Assembly – Elite18-19

 Frame Assembly – Classic20-21

 Goal Alignment22

 Rim Attachment – Elite Only23

 Height Indicator Attachment – Elite Only24

 Adjust Backboard – Classic Only24

Operation and Maintenance25

 Operation – Elite25

 Cleaning25

 Maintenance26

 Lubrication26

Warranties27

THANK YOU!

Thank you and congratulations for purchasing a Goalsetter Goal – the finest basketball goal system on the market today! You will discover that Goalsetter is unsurpassed in product innovation, quality and integrity in the basketball equipment industry. We are continually focused on designing, engineering and producing products that meet and exceed the expectations of today's toughest playing environments and demanding players.

Our commitment is to all those who want to play the game of basketball – to be able to train at whatever level they are at and then shoot for the stars. We are also committed to you, our customer, long after the sale has been made. Please contact us if you have any concerns, questions or suggestions regarding our products. Again, we are honored that you have purchased our goal system and we look forward to helping you with your game in the years ahead.

Questions? Comments? Contact Us:
Phone: 800.362.4625 • Fax: 641.594.3343
Email: info@goalsettersystems.com
www.goalsettersystems.com

SAFETY INSTRUCTIONS

Failure to follow these safety instructions may result in serious injury or death and/or property damage.

- Do not install or use this product unless the instructions within this manual have been carefully read and understood.
- Consult your Goalsetter dealer or Goalsetter Systems, Inc. if you do not understand the instructions in this manual or need additional information.
- Before digging for the ground anchor, contact your local One-Call system in your area.
- If using a ladder during assembly, use extreme caution. Two or three people are recommended for safe installation and assembly.
- Installation and assembly of this product will require lifting and bending that may result in injury to anyone not accustomed to this type of activity.
- Ensure there are no overhead power lines within a 20 ft. (7 m.) radius of the goal location.
- Climate, corrosion or misuse could result in system failure.
- With rim set at 7'-0" playing height, the minimum operational height is 6'-4" (1.9 m) to the bottom of the backboard.
- DO NOT HANG on the rim or any part of the goal system. This includes the backboard, support braces or net.
- During play, especially when performing dunking activities, keep the player's face away from the backboard, rim and net. Serious injury could result if teeth/face come in contact with the backboard, rim or net. Do not wear jewelry or other loose objects that could become entangled in the net.
- Twice yearly, check the goal system for loose hardware, excessive wear and signs of corrosion. Repair the system before use.
- Never play on damaged equipment.

WARNING

FAILURE TO FOLLOW THESE WARNINGS MAY RESULT IN SERIOUS INJURY AND/OR PROPERTY DAMAGE.

Owner must ensure that all players know and follow these rules for safe operation of the system.

- DO NOT REMOVE OR COVER THIS WARNING LABEL
- DO NOT HANG on the rim or any part of system including backboard, support braces or net.
- During play, especially when performing dunk type activities, keep player's face away from the backboard, rim and net. Serious injury could occur if teeth/face come in contact with backboard, rim or net.
- Do not slide, climb or play on pole.
- Do not allow young children to adjust system.
- During play, do not wear jewelry (rings, watches, necklaces, etc.). Objects may entangle in net.
- Keep organic material away from pole base. Grass, litter, etc. could cause corrosion and/or deterioration.
- Check pole system for signs of corrosion (rust, pitting, chipping) and repaint with exterior enamel paint. If rust has penetrated through the steel anywhere, replace pole immediately.
- Check system before each use for loose hardware, excessive wear and signs of corrosion and repair before use.
- Never play on damaged equipment.

GOALSETTER SYSTEMS, INC.

1-800-362-4625

SAFETY INSTRUCTIONS

FAILURE TO FOLLOW THESE SAFETY INSTRUCTIONS MAY RESULT IN SERIOUS INJURY AND/OR PROPERTY DAMAGE.

- If using a ladder during assembly, use extreme caution. 2-3 people are recommended for safe installation and assembly.
- Before digging, contact utility company to locate under ground power cables, gas and water lines.
- Ensure there are no overhead power lines within 20 ft. (7m) radius of pole location.
- Climate, corrosion or misuse could result in system failure.
- If technical assistance is required, contact the manufacturer.
- Minimum operational height in 6'6" (1.98m) to the bottom of backboard.
- Installation and assembly will require lifting and bending that may result in injury to persons not accustomed to this type of activity.

Most injuries are caused by misuse and/or not following instructions. Use caution when using this system.

GROUND ANCHOR INSTALLATION

Contacting buried utilities may cause serious injury or death. Before you start digging, always contact your local One-Call system to help prevent personal injury, interruption of services, environmental accidents or job delays.

Electric lines can shock or electrocute. Gas lines can rupture causing explosion or fire. Laser light in fiber optic cable can cause blindness.

One-Call will notify participating utility companies of your proposed digging project. **If you do not know the number for the local One-Call in your area, call the National One-Call at 1-888-258-0808 for this information.** After being notified, utility companies will mark their underground facilities by using the following international marking codes:

Color	Definition
Red	Electric
Yellow	Gas, Oil or Petroleum
Orange	Communication, Telephone, TV
Blue	Portable Water
Green/Brown	Sewer
White	Proposed Excavation
Pink	Surveying

Required Tools and Materials

Spade	Auger or Post Hole Digger
Shovel	10-14, 60 lb. Bags of Dry Concrete Mix
Tape Measure	(or 1/4 - 1/3 yard of ready mix concrete may be substituted for the concrete mix)
Level	Water
Stir Rod	

LAY OUT PLAYING COURT

Consider the following to determine where to install the basketball goal:

- Whether the goal is to be installed into a landscaped area next to the playing surface or into a hard-surfaced area.
- Backboard size and its extension distance from the structure.
- If court markings are to be used.
- Amount of playing surface desired beneath the goal.
- Other functions of playing surface (such as driveway, tennis court, etc.)

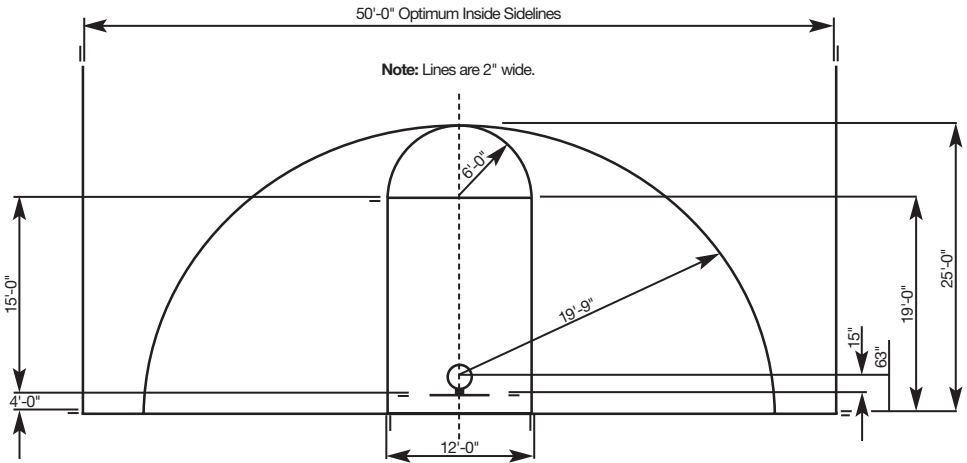
Court Markings (reference only)

Regulation Court Lengths:

High School: 84'

College: 94'

Professional: 94'

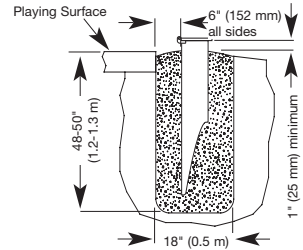


GROUND ANCHOR PLACEMENT

IMPORTANT – When preparing for ground anchor, allow at least 6" (152 mm) from all sides of ground anchor to wall of hole to allow for sufficient concrete fill around anchor.

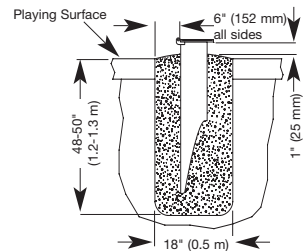
Use the following guidelines when installing ground anchor into a **landscaped area** next to the playing surface:

- Top of ground anchor to be flush with or slightly above playing surface.
- Top of ground anchor must be level both directions across its surface.
- Concrete fill should have top sloped away from anchor in all directions to shed moisture away.
- Hinge side of anchor toward playing surface.
- Hinge parallel with playing surface.
- Distance from edge of playing surface to anchor to be no less than 6" (152 mm).
- Distance from bottom of ground anchor plate to concrete fill to be no less than 1" (25 mm).



Use the following guidelines when installing ground anchor into a **hard-surfaced area**:

- Top of ground anchor to be 1" (25 mm) above playing surface.
- Concrete fill should have top sloped away from anchor in all directions to shed moisture away.
- Top of ground anchor must be level both directions across its surface.
- Hinge side of anchor toward playing surface.
- Hinge parallel with playing surface.
- Distance from edge of hole made in playing surface to anchor to be no less than 6" (152 mm).
- Distance from bottom of ground anchor plate to concrete fill to be no less than 1" (25 mm).

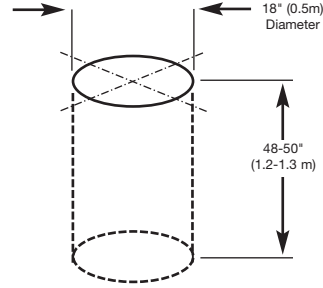


GROUND ANCHOR INSTALLATION

Dig Hole – When installing goal into a hard-surfaced area, a minimum of a 18" x 18" (0.5 x 0.5 m) area of the hard surface will need to be removed.

Step 1 – Once location of goal has been determined, locate center of ground anchor hole.

Step 2 – Dig a hole approximately 18 " (0.5 m) in diameter and 48-50" (1.2-1.3 m) deep. Use a spade, shovel, auger or post hole digger.



Position Anchor and Fill Hole with Concrete Mix –

For best performance, **do not** fully fill hole with concrete mix before positioning the anchor. **Instead**, fill base of hole with concrete mix, lower the ground anchor into the hole, position it and then finish filling with concrete mix.

Step 1 – Locate and unpack ground anchor. **Do not remove plastic plugs or hinge bolt.**

Step 2 – Place 2-3 bags of concrete mix into hole; add water and stir. Follow concrete mix manufacturer's instructions for best results.

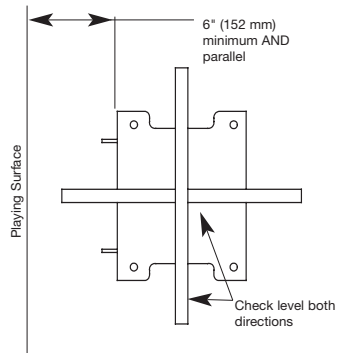
Step 3 – Position anchor in center of hole with hinge side toward and parallel with playing surface.

IMPORTANT – As hole is filled with concrete mix, periodically place a level on top of anchor plate and check that it is level front-to-back and left-to-right. Also check that the top of anchor is at correct height.

Step 4 – Adjust anchor plate height, depending upon installation, per guidelines given in Ground Anchor Placement.

Step 5 – Continue filling hole with concrete mix until it is within 1"-1.5" (25-38 mm) of anchor plate bottom, or level with landscape – whichever comes first.

IMPORTANT – Concrete fill should have top sloped away from anchor in all directions to shed moisture away.



GOAL ASSEMBLY

IMPORTANT: Concrete must cure a minimum of **48 hours** before installing goal.

IMPORTANT: Safe assembly of the goal requires two to three people in good physical condition and capable of lifting 80-100 lbs (36-45 kg) each.

IMPORTANT: Locate and familiarize yourself with all parts of the goal before beginning assembly.

Required Tools and Materials

Level

Rubber Mallet

12' Tape Measure

Phillips Screwdriver

Flat Blade Screwdriver

Ratchet

9/16" and 3/4" Sockets

9/16" and 3/4" Wrenches

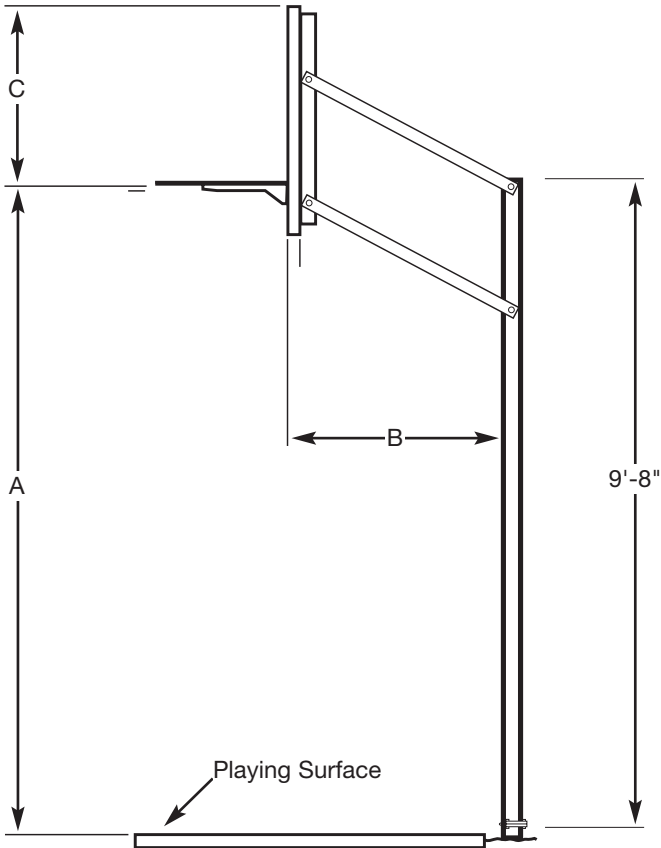
Drill

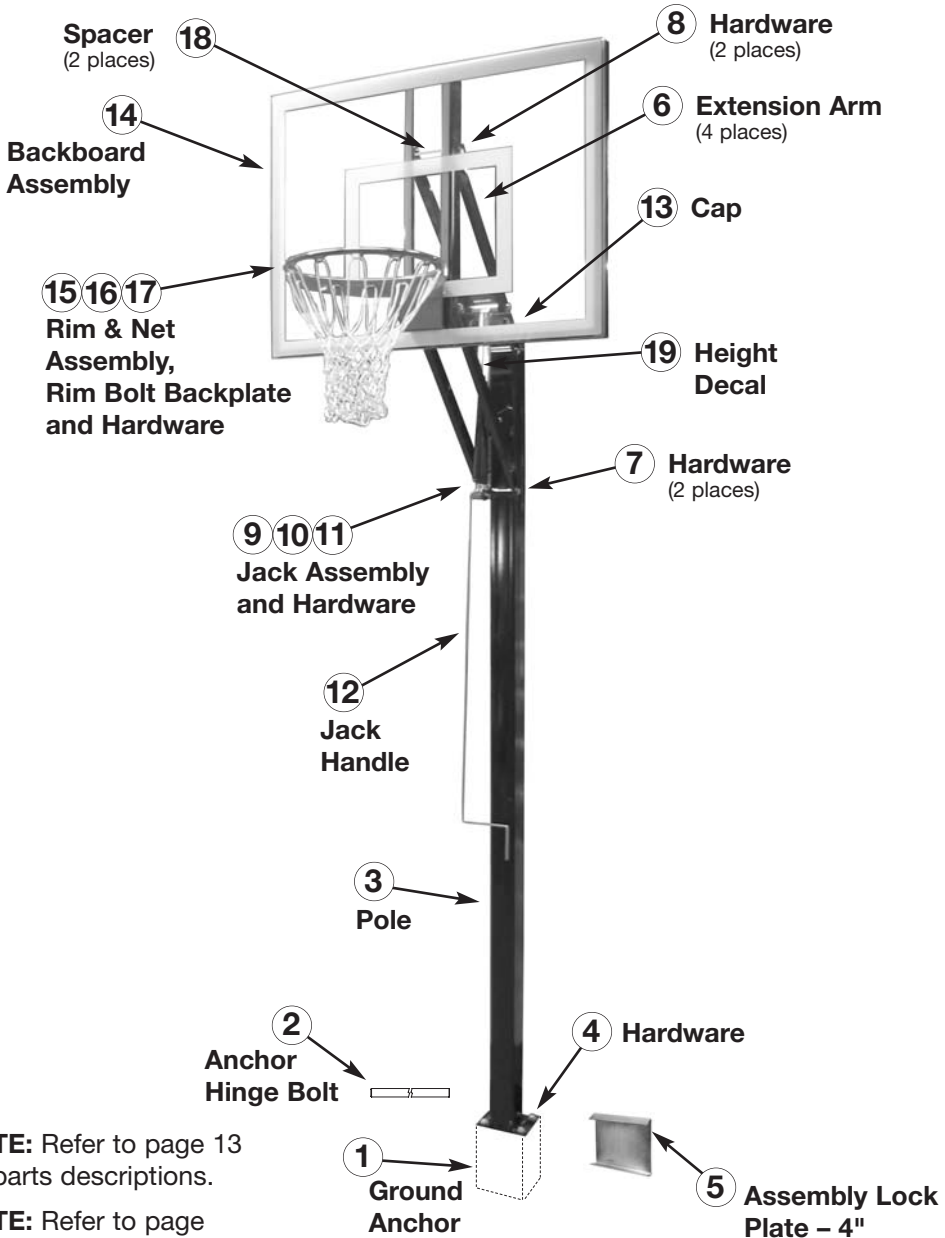
Stepladder (Classic Only)

GOAL SPECIFICATIONS

Model	Pole Size	Backboard Size	Weight With Acrylic	Weight With Glass	Height Range (A)
Elite	4" x 4"	32" x 48"	218 lbs.	253 lbs.	7'-10'
Classic	4" x 4"	32" x 48"	186 lbs.	221 lbs.	7'-10'

Model	Extension Distance (B) at:			Rim to Top-of-Goal Distance (C)
	10'	8'	7'	
Elite	26-1/2"	34"	29-1/2"	23-3/4"
Classic	30"	30"	30"	23-3/4"



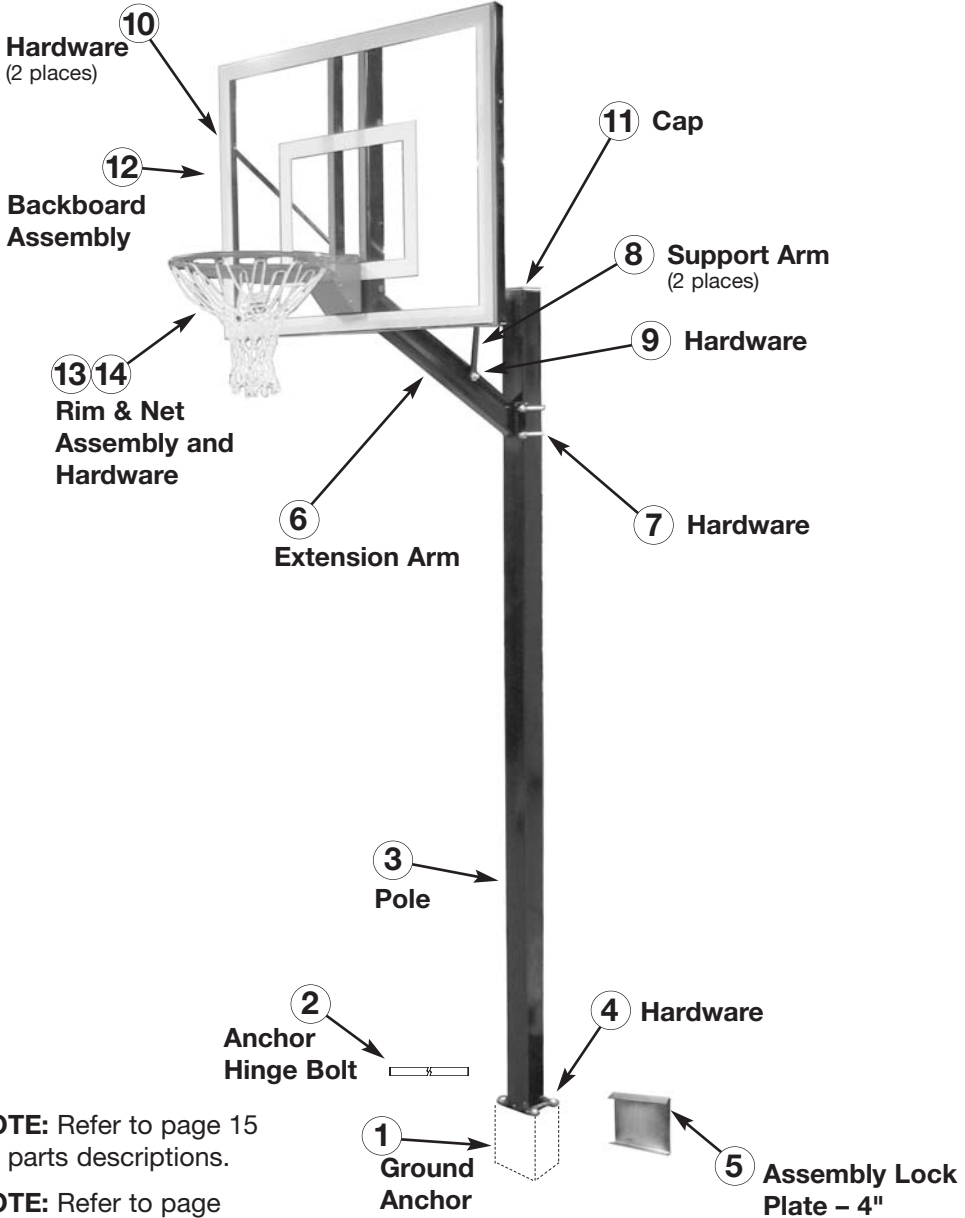
PARTS LIST - ELITE


NOTE: Refer to page 13 for parts descriptions.

NOTE: Refer to page 16-17 for hardware descriptions.

PARTS DESCRIPTION – ELITE

REF	ELITE	DESCRIPTION
1	1	Ground Anchor
2a	1	Anchor Hinge Bolt, 3/8"-16 UNC x 5"
2b	1	Nut, 3/8"-16 UNC
3	1	Pole – 4" x 4"
4a	5	Bolt, 1/2"-13 UNC x 1-1/4"
4b	5	Lock Washer, 1/2"
5	1	Assembly Lock Plate – 4"
6	4	Extension Arm
7a	2	Bolt, 1/2"-13 UNC x 8"
7b	8	Nylon Washer, 1/2"
7c	4	Flat Washer, 1/2"
7d	2	Locknut, 1/2"-13 UNC
8a	2	Bolt, 1/2"-13 UNC x 8"
8b	4	Nylon Washer, 1/2"
8c	4	Flat Washer, 5/8"
8d	2	Locknut, 1/2"-13 UNC
9	1	Jack Assembly
10a	1	Bolt, 1/2"-13 UNC x 4"
10b	4	Nylon Washer, 1/2"
10c	2	Flat Washer, 1/2"
10d	1	Locknut, 1/2"-13 UNC
11a	1	Bolt, 1/2"-13 UNC x 8"
11b	4	Nylon Washer, 1/2"
11c	2	Flat Washer, 1/2"
11d	1	Locknut, 1/2"-13 UNC
12	1	Jack Handle
13	1	4" Square Plastic Cap
14	1	Backboard Assembly, 32" x 48"
15	1	Rim and Net Assembly
16a	4	Bolt, 3/8"-16 UNC x 2"
16b	8	Flat Washer, 3/8"
16c	4	Lock Washer, 3/8"
16d	4	Nut, 3/8"-16
17	1	Rim Bolt Backplate
18	2	Steel Spacer, 3/4" OD x 4-5/16"
19	1	Decal, Height Indicator (on jack)

PARTS LIST – CLASSIC


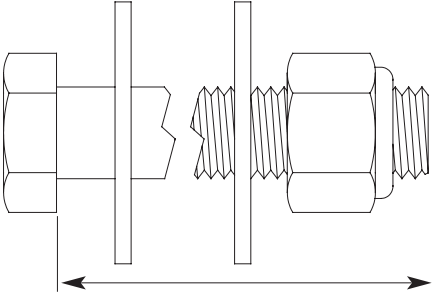
NOTE: Refer to page 15 for parts descriptions.

NOTE: Refer to page 16-17 for hardware descriptions.

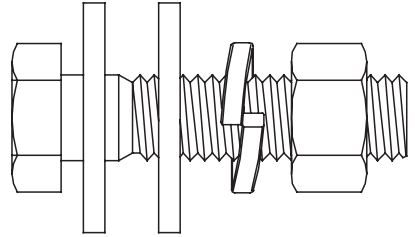
PARTS DESCRIPTION – CLASSIC

REF	CLASSIC	DESCRIPTION
1	1	Ground Anchor – 4"
2a	1	Anchor Hinge Bolt, 3/8"-16 UNC x 5"
2b	1	Nut, 3/8"-16 UNC
3	1	Pole – 4" x 4"
4a	5	Bolt, 1/2"-13 UNC x 1-1/4"
4b	5	Lock Washer, 1/2"
5	1	Assembly Lock Plate – 4"
6	1	Extension Arm
7a	2	U-Bolt, 1/2"-13 UNC x 4" Square
7b	4	Flat Washer, 1/2"
7c	4	Locknut, 1/2"-13 UNC
8	2	Support Arm
9a	1	Bolt, 3/8"-13 UNC x 2-1/2"
9b	2	Flat Washer, 3/8"
9c	1	Locknut, 3/8"-16 UNC
10a	2	Panhead Slotted Machine Screw, #10-24 x 2"
10b	2	Locknut, #10-24 UNC
11	1	4" Square Plastic Cap
12	1	Backboard Assembly, 32" x 48"
13	1	Rim and Net Assembly
14a	4	Bolt, 3/8"-16 UNC x 2"
14b	8	Flat Washer, 3/8"
14c	4	Lock Washer, 3/8"
14d	4	Nut, 3/8"-16 UNC
15	1	1/4" drill bit (refer to page 21)

HARDWARE IDENTIFICATION

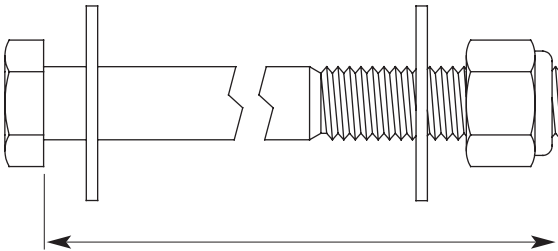


Description	Model	Parts List Callout	Length
Extension Arm To Pole Bolt	Elite	#7	8"
Extension Arm To Board Bolt	Elite	#8	8"
Upper Jack Pivot Bolt	Elite	#11	8"
Lower Jack Pivot Bolt	Elite	#10	4"

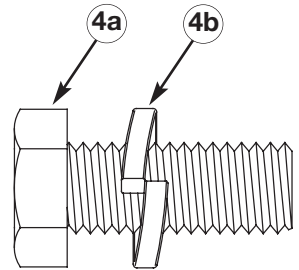


Rim Bolt Assembly

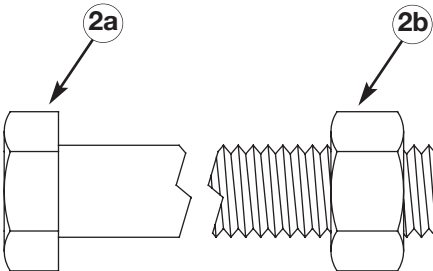
Elite – #16 in Parts List
Classic – #14 in Parts List



Description	Model	Parts List Callout	Length
Support Arm Bolt	Classic	#9	2-1/2"



Ground Anchor Bolt Assembly (All Models)



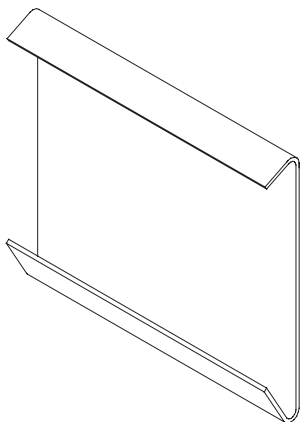
Anchor Hinge Bolt (All Models)



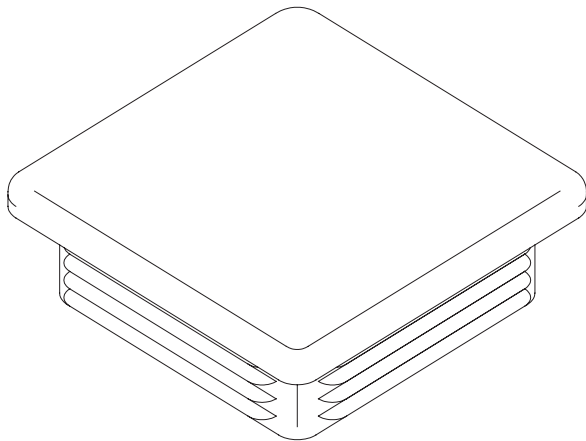
Black Touch-Up Paint

NOTE: Refer to page 12-15 for descriptions and quantities.

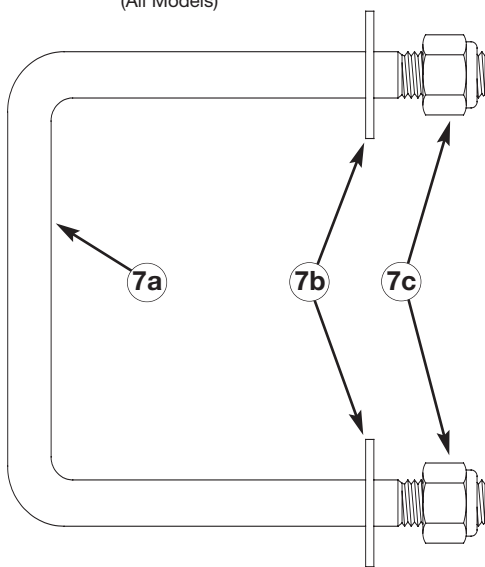
HARDWARE IDENTIFICATION



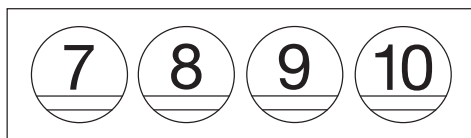
Anchor Lock Plate
(All Models)



Plastic Cap
Elite - #13 in Parts List
Classic - #11 in Parts List



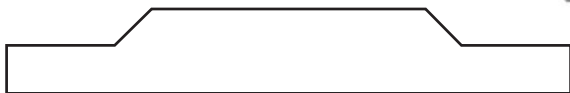
4" Square U-Bolt
(Classic)



Height Indicator Decal
(Elite - #19 in Parts List)



Support Arm Bolt
(Classic)



Rim Bolt Backplate
(Elite)



1/4" Drill Bit
(Classic - #15 in Parts List)

POLE ASSEMBLY

Step 1: Remove five plastic plugs from threaded holes in ground anchor. Also remove hinge bolt ③ and nut (these will be used in Step 3.)

NOTE: Use protective padding to protect pole finish.

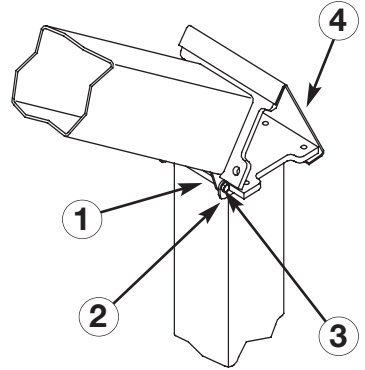
Step 2: Unpack pole.

Step 3: Align pole hinge ① with anchor plate hinge ② and insert bolt ③ and nut.

Step 4: Lift pole to approximately 30° and attach lock plate ④ to ground anchor and pole.

IMPORTANT: The 30° pole installation angle **MUST** be maintained until pole is raised in Goal Alignment.

Step 5: Install 4" x 4" plastic end cap into top end of pole.

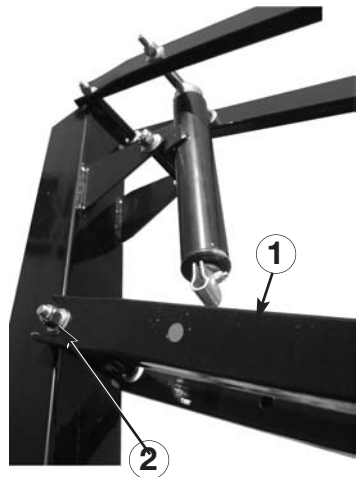


FRAME ASSEMBLY – ELITE

Step 1: Attach extension arms ① to pole bushings ②.

- Position extension arms with their middle holes located closest to pole.
- Attach with two 1/2" x 8" bolts (#7 in parts list), four flat washers, eight nylon washers and two locknuts – do not fully tighten.

Hardware Sequence: Bolt passes through flat washer - nylon washer - extension arm - nylon washer - pole bushings - nylon washer - extension arm - nylon washer - flat washer - locknut.



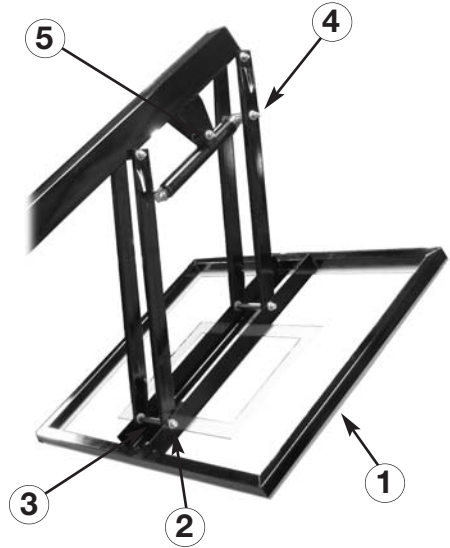
FRAME ASSEMBLY – ELITE (continued)

Step 2: Open lid of box containing backboard (1).

IMPORTANT: Rim mounting plate of backboard is to be at lower end.

Step 3: Remove backboard from box, lift into position and attach to extension arms.

- Extension arms go inside backboard bracket flanges (2).
- Make sure metal spacers (#18 in parts list) (3) are located between the extension arms.
- Attach with two 1/2" x 8" bolts (#8 in parts list), four 5/8" flat washers, four nylon washers and two locknuts – do not fully tighten.



Hardware Sequence: Bolt passes through flat washer - grey nylon bushing - backboard bracket flange - extension arm - nylon washer - steel bushing - nylon washer - extension arm - backboard bracket flange - grey nylon bushing - flat washer - locknut.

Step 4: Attach upper mount (4) of jack to upper extension arms using a 1/2" x 8" bolt (#11 in parts list), two flat washers, four nylon washers and locknut – do not tighten.

Hardware Sequence: Bolt passes through flat washer - nylon washer - extension arm - nylon washer - upper jack mount - nylon washer - extension arm - nylon washer - flat washer - locknut.

Step 5: Attach lower mount (5) of jack to jack brackets using a 1/2"x 4" bolt (#10 in parts list), two flat washers, four nylon washers and locknut – do not tighten.

Hardware Sequence: Bolt passes through flat washer - nylon washer - jack bracket - nylon washer - lower jack mount - nylon washer - jack bracket - nylon washer - flat washer - locknut.

Step 6: Tighten all frame assembly to fasteners but make sure free movement is maintained at pivot points. **NOTE:** Use caution not to over tighten and squeeze tubes out of shape.

FRAME ASSEMBLY – CLASSIC

Step 1: Locate extension arm ①, backboard ②, and rim ③. Peel back protective film on backboard just enough to access rim mounting holes.

Step 2: If using a reflex rim, remove cover plate that encloses the spring.

Step 3: On a flat surface, assemble extension arm, backboard and rim together.

- Attach with four 3/8" x 2" bolts (#14 in parts list), eight flat washers, four lock washers and four nuts.
- Snug tighten hardware – a 9/16" open end wrench may be necessary.

Hardware Sequence: Bolt passes through flat washer - rim backplate - backboard bushing - backboard mounting plate - flat washer - lock washer - nut.

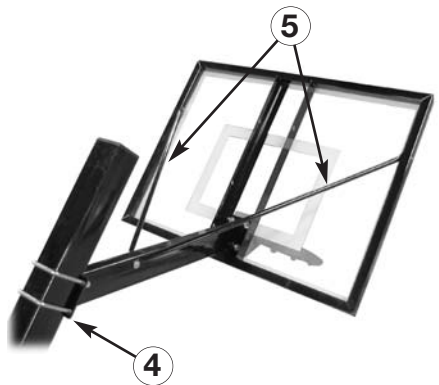
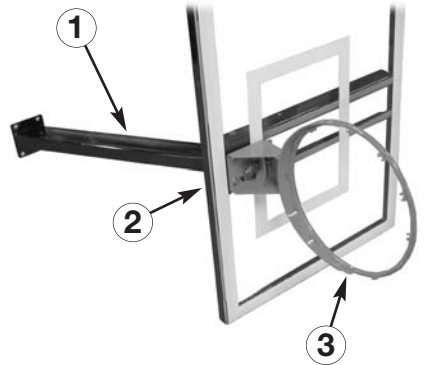
Step 4: With pole at its 30° installation angle, position bottom edge of extension arm plate ④ 96" from bottom of pole. Attach extension arm to pole with two 4" square U-bolts (#7 in parts list), four flat washers and four locknuts. Fully and evenly tighten locknuts.

Step 5: Square the rim and backboard with pole and fully tighten hardware.

Step 6: Attach support arms ⑤ to extension arm using a 3/8" x 2-1/2" bolt (#9 in parts list), flat washers and locknut. Do not fully tighten.

Hardware Sequence: Bolt passes through flat washer - support arm - extension arm - support arm - flat washer - nut.

Step 7: Place other end of support arms ⑤ inside backboard frame tubes as shown.



FRAME ASSEMBLY – CLASSIC (continued)

Step 8: Mark location of support arm hole at center of tube and then transfer this position to outside of tube.

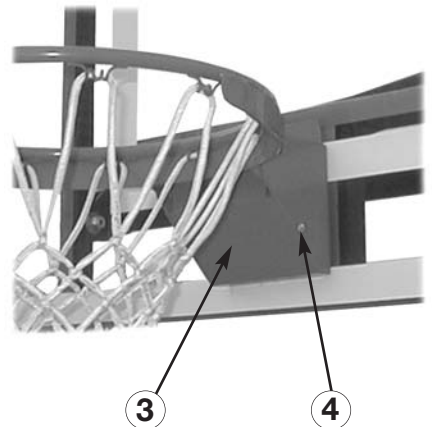
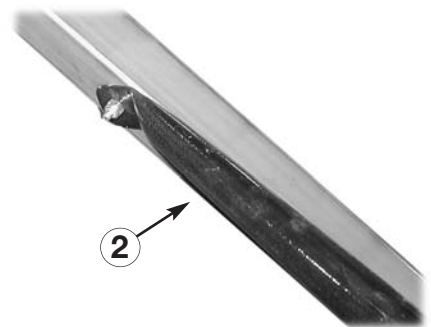
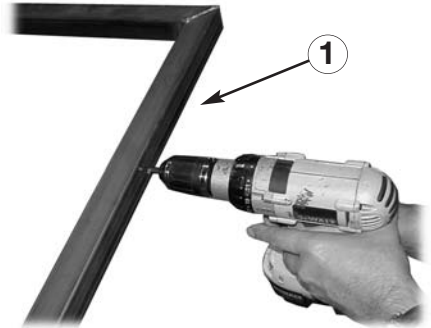
Step 9: Locate 1/4" drill bit (included) and chuck into drill.

Step 10: Drill a 1/4" hole from outside to inside of backboard through both walls of tube ①. Do this on both sides of backboard.

Step 11: Attach support arms ② to the inside of both of the backboard vertical tubes using two #10-2" machine screws (#10 in parts list) and locknuts. **Install with nuts to the inside of backboard.**

Step 12: Fully tighten hardware.

Step 13: On reflex rims, position cover plate ③ and attach with cover plate screws ④.



GOAL ALIGNMENT

IMPORTANT: For safe assembly, do the following:

- Use two or three people to raise the goal assembly and hold it in a vertical position. They should be in good physical condition and capable of lifting 80-100 lbs (35-45 kg).
- DO NOT adjust height of backboard or attach rim until pole is raised and bolted down.
- Correct sequence of hardware installation MUST be followed during assembly.

Step 1: Locate five 1/2" x 1-1/4" bolts ① (#4 in parts list). Prepare them for use by having lock washer ② slipped on as shown.

Step 2: Push up on backboard to raise goal assembly to vertical position. The assembly lock plate, maintaining pole at 30° installation angle, will fall away. Save lock plate for future disassembly.

Step 3: Fasten pole ③ to threaded ground anchor plate ④ as follows:

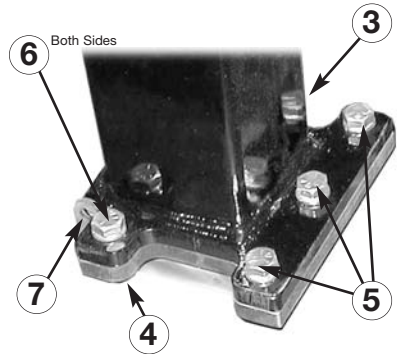
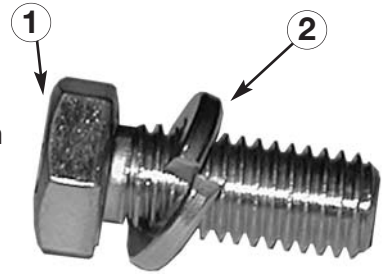
- First, install and tighten three back bolts ⑤ with lock washers.
- **Second, remove ground anchor hinge bolt and nut ⑦. Save for future disassembly.**
- Third, install and tighten two front bolts ⑥ with lock washers.

Step 4: Check goal assembly with a level and inspect visually to determine if it is parallel and plumb to playing surface.

Step 5: If adjustments are necessary, slightly loosen bolts to rotate goal or place shims between pole plate and ground anchor plate.

Step 6: Fully tighten five bolts.

IMPORTANT: The bolts must pass all the way through the ground anchor plate. If they are recessed within the plate when fully tightened, please contact Goalsetter Systems.



RIM ATTACHMENT – ELITE ONLY

NOTE: Use all steps of the following instructions to install a reflex rim. To install a static rim, follow all steps except #2 and #6.

Step 1: Remove any cardboard edge protectors and protective sheeting from backboard.

NOTE: Four steel shouldered bushings (1) are factory installed. If loose, make sure to have them seated properly when tightening rim bolts. If missing, contact Goalsetter or dealer to get replacements. **DO NOT install rim without bushings.**

Step 2: If not already removed, remove cover plate screws (6) and cover plate (5) from rim assembly.

IMPORTANT: Correct sequence of hardware installation **MUST** be followed during assembly.

Step 3: Loosely attach rim (4) to backboard through top mounting holes (2) with two 3/8" x 2" bolts, four flat washer, two lock washers and two nuts. Snug tighten hardware – a 9/16" open-end wrench may be necessary.

IMPORTANT: When attaching rim to TOP mounting holes, attach rim bolt backplate (7) at same time.

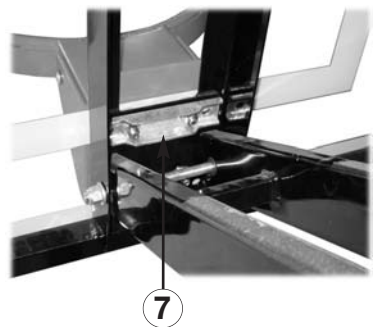
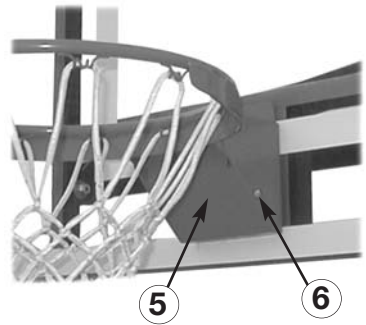
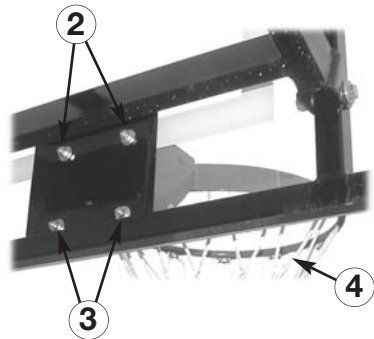
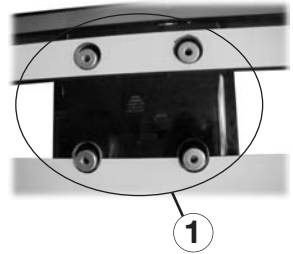
Hardware Sequence: Bolt passes through flat washer - rim backplate - backboard bushing - backboard mounting plate - rim bolt backplate - flat washer - lock washer - nut.

Step 4: Repeat procedure outlined in Step 3 for lower rim mounting holes (3).

Step 5: Level rim side to side and then fully tighten hardware.

Step 6: Position cover plate (5) and attach with cover plate screws (6).

Step 7: Attach net to rim.



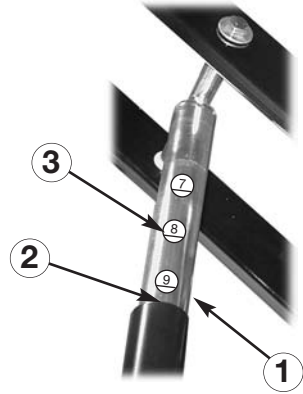
HEIGHT INDICATOR ATTACHMENT – ELITE ONLY

Step 1: Position top of rim 7' above playing surface using crank handle. Measure distance with a tape measure for accuracy.

Step 2: Draw a mark on inner jack tube ① at edge of outer jack tube ②.

Step 3: Extend jack approximately 1/2". Apply the "7" decal on inner jack by aligning the line on decal ③ with the drawn mark.

Step 4: Repeat steps 1-3 for the "8", "9" and "10" decals.



ADJUST BACKBOARD – CLASSIC ONLY

IMPORTANT: If using a stepladder, make sure it is in good condition, setting on a level and stable surface and do not exceed its weight rating.

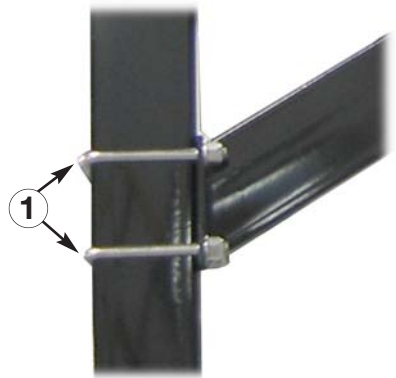
Use one or two people to raise backboard assembly and hold it at the 10' position. They should be in good physical condition and capable of lifting 80-100 lbs (36-45 kg).

Step 1: Measure the distance from the playing surface to top of rim with a tape measure.

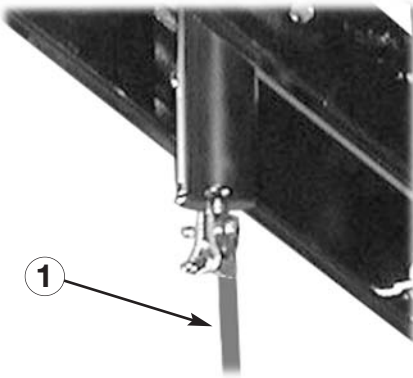
Step 2: While one or two people hold up backboard, loosen U-bolt ① nuts.

Step 3: Raise or lower backboard as necessary.

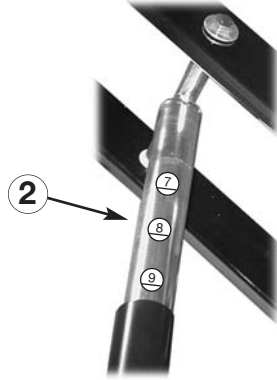
Step 4: Fully and evenly tighten U-bolt locknuts.



OPERATION – ELITE



① Crank – Turn clockwise for goal to go up, turn counter clockwise for goal to go down.



② Height Indicator indicates goal height from 7' to 10'.

CLEANING

The exterior finish of your Goalsetter goal is designed for outdoor environments and should only require periodic cleaning and inspection for imperfections that could develop over time (see *Maintenance* section).

When cleaning is necessary, Goalsetter recommends using water and a mild dish detergent applied with a soft, non-abrasive cloth.

IMPORTANT: DO NOT use abrasive cleaners to clean the goal. Damage to the finish may result.

MAINTENANCE

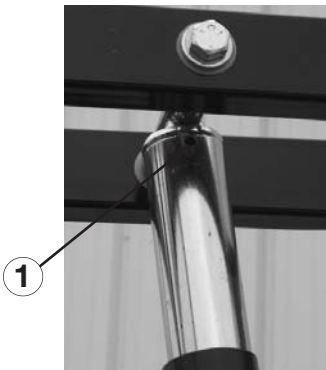
Goalsetter uses a two-part acrylic-enamel paint on our goals. With periodic inspection and service when needed, the high-gloss finish is designed to last for many years. A small bottle of black paint with brush is provided with every goal for touch up of imperfections as they develop and can be found in the hardware kit.

If more touch up is required, please contact Goalsetter Systems, Inc. or your local Goalsetter Dealer.



LUBRICATION

Every jack that comes with a Goalsetter height-adjustable goal is pre-lubricated as it comes from the factory. With any mechanical component, periodic inspection and service is required. Goalsetter recommends applying lubrication at least once or twice a year to keep a smooth operation of the height actuator. There are two lubrication service points provided. Failure to do so could result in jack failure and not be covered under warranty.



① Jack Assembly – Use a liberal amount of general-purpose lubricating oil. Do NOT use a penetratnig oil.

IMPORTANT – A general-purpose lubricating oil like “3-in-1” or lightweight motor oil is recommended. DO NOT use penetrating oil like “WD-40”. Goalsetter has “Maintenance Kits” available which would include a bottle of lubricating oil. Contact Goalsetter Systems, Inc. or your local Goalsetter Dealer for details.

WARRANTIES

GOALSETTER SYSTEMS warrants to the original purchaser of each new Tournament Series Goal System that such product, under normal or intended use, shall be free from defects in material and/or workmanship per the following warranties after delivery to the original purchaser.

LIMITED FIVE-YEAR WARRANTY on all steel poles, ground anchors, extension arms, stabilizer bars (fixed systems), height adjustment mechanism and crank handle (adjustable systems), and backboards.

LIMITED ONE-YEAR WARRANTY on Home Court Flex Rim, Multi-Purpose Backboard, Edge Pad, Wrap-Around Pole Pad, HoopLok, Shooting Ring and Rebound Ring.

Subject to proper installation and normal use, Goalsetter Systems products are warranted against manufacturing defects for the duration of ownership by the original retail purchaser. Where listed as "LIMITED", the warranties shall cover damage or failure that occurs during the course of normal or intended use of the warranted product. "NORMAL or INTENDED USE" shall be described as the activity that is necessary for participation in the sport for which the equipment is designed.

"LIMITED" warranties on Goalsetter Systems basketball equipment cover damage caused by slam dunking and normal player contact with the goal. Not covered is damage caused by deliberate hanging, multiple player hanging, vandalism, non-basketball activities or any other activity that could be regarded as abusive. Where stated as "UNCONDITIONAL" the warranty limitations listed above do not apply.

Normal deterioration of this product due to weather, wear and tear or other causes that do not affect functional use are not covered by Goalsetter Systems warranties. All warranties are valid only when product is used in the intended application as outlined in Goalsetter Systems printed literature and when installed according to Goalsetter Systems instructions.

All returns must be arranged through the Goalsetter Systems dealer where the Tournament Series Goal System was originally purchased. Warranties do not cover dealer service charges, labor charges and travel expenses associated with replacement or repair of the warranted item.

Questions? Comments? Contact Us:
Phone: 800.362.4625 • Fax: 641.594.3343
Email: info@goalsettersystems.com
www.goalsettersystems.com